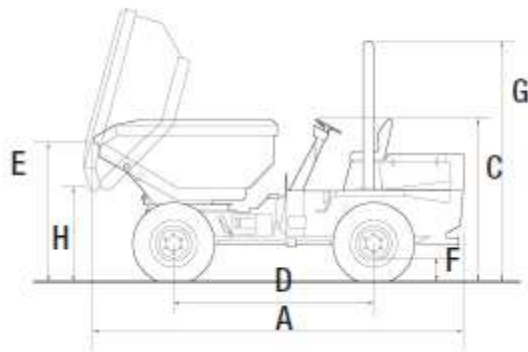




# TEREX®

# PS6000

		PS6000
Payload (kg)		6000
Unladen Weight (kg)		4270
Skip Capacity - Water (ltr)		1850
- Struck (ltr)		2750
- Heaped (ltr)		3520
Engine	Perkins 1104D-44T	
- Net Power - kW (hp)	62.5 (84hp) at 2200rpm	
- Capacity	4.4 litres (4400 cc)	
- Maximum Torque	353 Nm at 1400 rpm	
Tyre Size	405/70-20-14PR	
Drive	4/4 Powershuttle – Permanent 4WD	
Max Travel Speed - mph (kph)		16.8 (27.0)
Gradeability		25 %
Fuel Tank Capacity		67 Litres
Hydraulic Tank Capacity		50 Litres



		PS6000
A	Total Length	4590
B	Total Width (not shown)	2095
C	Height to Top of Steering Wheel	2160
D	Wheelbase	2450
E	Height to Front Lip of Skip (untipped)	1760
F	Ground Clearance	380
G	Height to Top of ROPS (raised)	2910
H	Height to Front Lip of Skip (tipped)	1100
	Turning Radius to Outside of Skip	5600 mm
	Steering Angle	+/- 30°
	Oscillation	+/- 10.5°
	Tipping Type	Swing

## WINNER PLANT

SUSSEX: 01903 230700

SURREY: 01483 456789

EMAIL: SALES@WINNERPLANT.CO.UK