



neuson®

6001

**Capacity**

Max. safe load	6000 kg
Unladen weight	4320 kg
Skip - struck	2400 l
- heaped	3200 l
- water level	1880 l
- swing	180-212 °

**Engine**

Make	Perkins
Type	1104C-44 with Powershuttle gearbox 4-cyl., water cooled
Output (Iso 3046/1)	61,5 (83,6) kw (hp)
Revolution	2200 min-1
Displacement	4400 ccm
Max. Torque	308 Nm
Emission	acc. 97/68/EG, step 2

**Option**

Make	Perkins (with powershift)
Type	1104C-44T turbo charged 4-cyl., water cooled
Output (Iso 3046/1)	74,5 (100) kw (hp)
Revolution	2200 min-1
Displacement	4400 ccm
Max. Torque	415 Nm
Emission	acc. 97/68/EG, step 2

**Drive characteristics**

Speed I	0 - 4,5 km/h
Speed II	0 - 7,0 km/h
Speed III	0 - 14 km/h
Speed IV	0 - 27 km/h
Steering angle	+/- 32,5 °
Oscillation	+/- 13 °
Turning radius outside	5200 mm
Gradeability	50 %

**Transmission**

Final Drive: Torque converter 4 speed power-shuttle transmission, permanent 4 wheel drive, electr. driving direction switch

Steering: hydrostatic center-pivot steering (load Sensing)

Tyres: 405/70-20 14 Ply  
Traction profile

Working brake: foot brake via oil discs in front/rear axles

Parking brake: parking brake via dry disc, acting on gearbox

**Hydraulic System**

Working pump: gear pump

- flowrate	55 l/min
- oper. press.	220 bar

**Tank capacity**

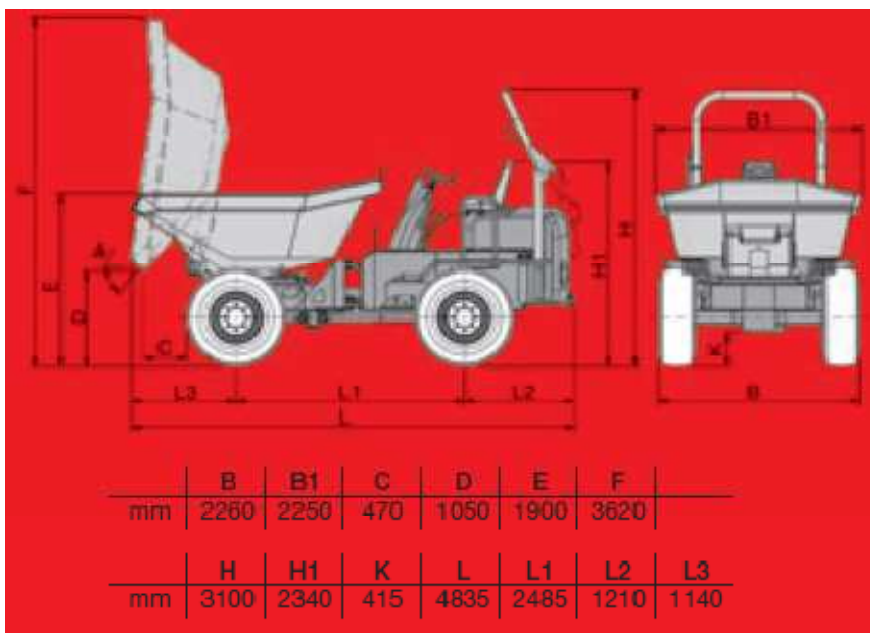
Diesel	70 l
Hydraulic	70 l

**Electric**

Voltage	12 V
Battery	105 Ah
Alternator	40 A
Starter	2,8 kw

**Noise Emission**

Noise Level LWA (acc. 2000/14/EC)	105 dB(A)
Noise Level LPA (acc. 2000/14/EC)	85 dB(A)



**WINNER PLANT**

SUSSEX: 01903 230700  
 SURREY: 01483 456789  
 EMAIL: SALES@WINNERPLANT.CO.UK